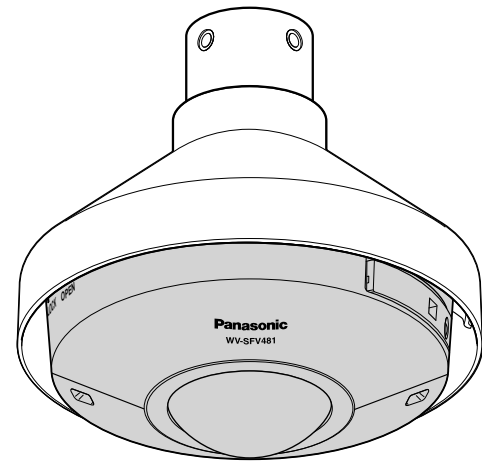


Operating Instructions

Included Installation Instructions

Mount Bracket

Model No. **WV-Q124**



Before attempting to connect or install this product, please read these instructions carefully and save this manual for future use.

The model number is abbreviated in some descriptions in this manual.

For U.S. and Canada:

Panasonic i-PRO Sensing Solutions Corporation of America
800 Gessner Rd, Suite 700 Houston, TX 77024
<https://www.security.us.panasonic.com/>

Panasonic Canada Inc.

5770 Ambler Drive, Mississauga, Ontario, L4W 2T3 Canada
1-877-495-0580
<https://www.panasonic.com/ca/>

For Europe and other countries:

Panasonic Corporation
<http://www.panasonic.com>

Panasonic i-PRO Sensing Solutions Co., Ltd.
Fukuoka, Japan

Authorised Representative in EU:

Panasonic Testing Centre
Panasonic Marketing Europe GmbH
Winsbergring 15, 22525 Hamburg, Germany

© Panasonic i-PRO Sensing Solutions Co., Ltd. 2019

Ns1214-2109 PGQX1783XA Printed in China

Specifications

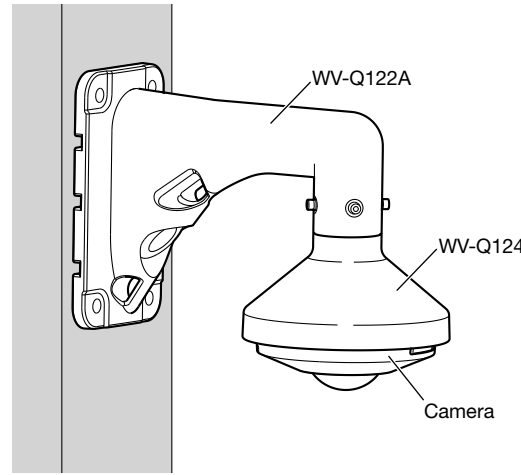
Ambient operating temperature:	-40 °C to +50 °C {-40 °F to 122 °F}
Dimensions:	Maximum diameter: ø176.0 mm {6-15/16 inches} Height: 131.0 mm {5-5/32 inches}
Mass:	Main body: Approx. 480 g {1.06 lbs}
Finish:	Main body: Aluminum die cast Silver

Preface

Features

WV-Q124 (mount bracket) is designed to be used to install a fisheye camera or a dome camera for outdoor use in the following ways.

- When installing on a wall using together with WV-Q122A (wall mount bracket)



Precautions

Refer installation work to the dealer.

Installation work requires technique and experiences. Failure to observe this may cause fire, electric shock, injury, or damage to the product. Be sure to consult the dealer.

Periodic inspections shall be conducted.

Rust on the metal parts or screws may cause a fall of the product resulting in injury or accidents. Consult the dealer for the inspections.

The exclusively designed mount bracket shall be used.

Failure to observe this may cause a drop resulting in injury or accidents. Use the exclusively designed mount bracket for installation.

The screws and bolts must be tightened to the specified torque.

Failure to observe this may cause a drop resulting in injury or accidents.

Do not install this product in locations subject to vibration.

Loosening of mounting screws or bolts may cause a fall of the product resulting in injury or accidents.

Install this product in a location high enough to avoid people and objects from bumping the product.

Failure to observe this may cause injury.

The measures of protection against snowfall shall be taken.

Weight of snow may cause a fall of the product resulting in injury or accidents. Protect the product against snowfall by installing under eaves.

Avoid installing this bracket in the locations where salt damage occurs or corrosive gas is produced.

Otherwise, the mounting portions will deteriorate and accidents such as a fall of this product may occur.

Do not strike or give a strong shock to this product.

Failure to observe this may cause fire or injury.

Do not hang down from this product or use this product as a pedestal.

Failure to observe this may cause injury or accidents.

Do not install the product in a windy place.

Installation of the product in wind with a speed of 60 m/s or more may cause a drop resulting in accidents.

Do not use this bracket except with suitable cameras.

Failure to observe this may cause a drop resulting in injury or accidents.

Do not rub the edges of metal parts with your hand.

Strong rubbing may cause injury.

Standard accessories

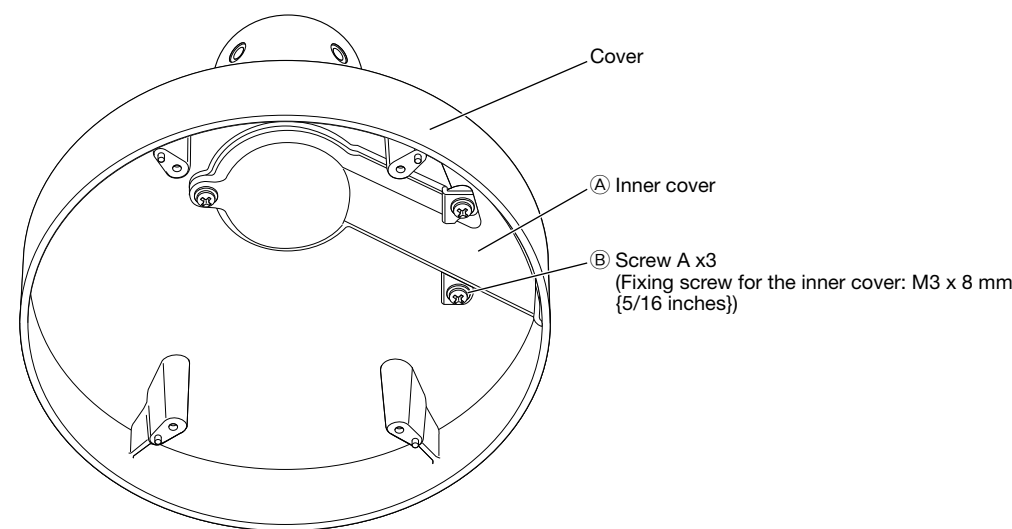
Operating Instructions (this document).....	1 set
Ⓐ Inner cover.....	1 pc.
Ⓑ Screw A (Fixing screw for the inner cover: M3 x 8 mm {5/16 inches}).....	4 pcs. (incl. 1 spare screw)
Ⓒ Base guide plate (For WV-SMR10).....	1 pc.
Ⓓ Screw B (Fixing screw for the base guide plate: M4 x 8 mm {5/16 inches}).....	5 pcs. (incl. 1 spare screw)
Ⓔ Screw C (Fixing screw for the network microphone attachment plate: M4 x 8 mm {5/16 inches}).....	5 pcs. (incl. 1 spare screw)

* For installation of WV-Q124 and a camera, the provided accessories of Ⓒ base guide plate, Ⓓ screw B and Ⓔ screw C are unnecessary.

Required parts other than the above

- Accessories provided with the camera to be installed
 - Attachment plate 1 pc.
 - Fixing screw for attachment plate (M4 x 8 mm {5/16 inches})..... 4 pcs.

Major operating controls



Precautions for installation

Panasonic assumes no responsibility for injuries or property damage resulting from failures arising out of improper installation or operation inconsistent with this documentation.

Power supply

Use a power supply device equipped with the ON-OFF switch for servicing. When the power cord of the product is connected to the power supply device, the power will be supplied to the product. Before cleaning the product, make sure that the power cable is not connected to the main power supply.

Take notice of humidity.

Install this product when the humidity is low. If this product is installed during rainfall or at a high humidity, the inside may be exposed to moisture and the dome cover may become foggy.

Mounting method for this product

This product is designed to be used as a pendant mount camera. If the product is mounted on a desktop or at a slant, it may not work correctly and its lifetime may be shortened.

Do not place this product in the following places:

- Locations where a chemical agent is used such as a swimming pool
- Locations subject to moisture or oil smoke such as a kitchen
- Locations that have a specific environment that is subject to an inflammable atmosphere or solvents
- Locations where radiation, x-ray, intense radio wave, or strong magnetism is produced
- Locations where corrosive gas is produced, locations where it may be damaged by briny air such as seashores
- Locations where the temperature is not within the specified range (-40 °C to +50 °C {-40 °F to 122 °F})
- Locations subject to condensation as the result of severe changes in temperature (In case of installing the product in such locations, the dome cover may become foggy or condensation may be caused on the cover.)
- Locations subject to vibrations, such as on vehicles, marine vessels, or above product lines (This product is not designed for on-vehicle use.)

Check before installation

Compatibility of devices is restricted. Before installation, check the ratings and dimensions of the devices to be used.

Contact your dealer for details.

Screw tightening

- Do not use an impact driver. Use of an impact driver may damage the screws or cause tightening excessively.
- When a screw is tightened, make the screw at a right angle to the surface. After tightening the screws or bolts, perform checks to ensure that the tightening is sufficient enough so that there is no movement or looseness.

Protection against lightning

When cables are used outdoors, there is a chance that they may be affected by lightning. In this case, install a lightning arrester just before where the cables connect to the camera.

Make sure to remove this product if it will no longer be used.

<Mountable models>

The following cameras for outdoor use can be mounted on WV-Q124. For the latest information about the mountable models, refer to Panasonic support web site (<http://security.panasonic.com/pss/security/support/info.html>).

WV-SW355, WV-SW559, WV-SW458, WV-SFV481
WV-SFV631L, WV-SFV631LT, WV-SFV611L, WV-SFV311

Installations/Connections

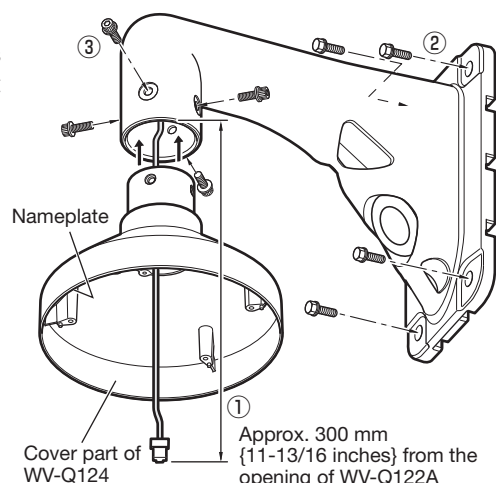
The following are descriptions of how to install on a wall using WV-Q124 (mount bracket) and WV-Q122A (wall mount bracket).

[1] Fix WV-Q122A (wall mount bracket) on a wall and attach the cover of WV-Q124 (mount bracket) to the WV-Q122A

- 1 Pass the cables from the wall to the WV-Q122A. Adjust the length of the cables so that the cables of approx. 300 mm {11-13/16 inches} come out from the opening of the WV-Q122A.

Note:

- Do not bundle the cables (Ethernet cable, power cable, etc.) during installation. Mounting of (A) inner cover (accessory) may become difficult. (The provided illustration shows the Ethernet cable as a representative image.)

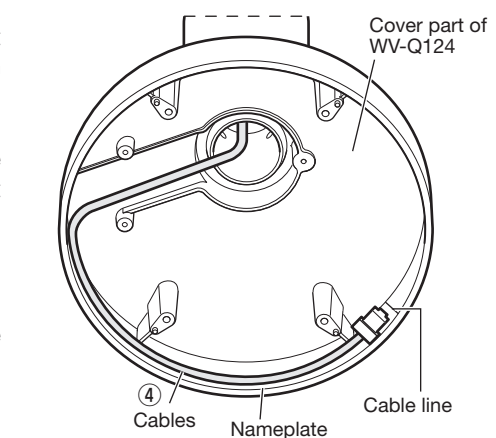


- 2 Fix the WV-Q122A with M10 screws (locally procured) or four anchors (locally procured). Minimum pull-out strength: 823 N {185 lbf}/ per 1 pc.

* Refer to the operating instructions of the mount bracket (WV-Q122A) for further information on how to fix.

- 3 Attach the cover part of the WV-Q124 to the WV-Q122A, and then fix it with M6 hex socket screws (provided with the wall mount bracket). (A hex wrench for M6 is required.) (Recommended tightening torque: 2.45 N·m {1.81 lbf-ft})

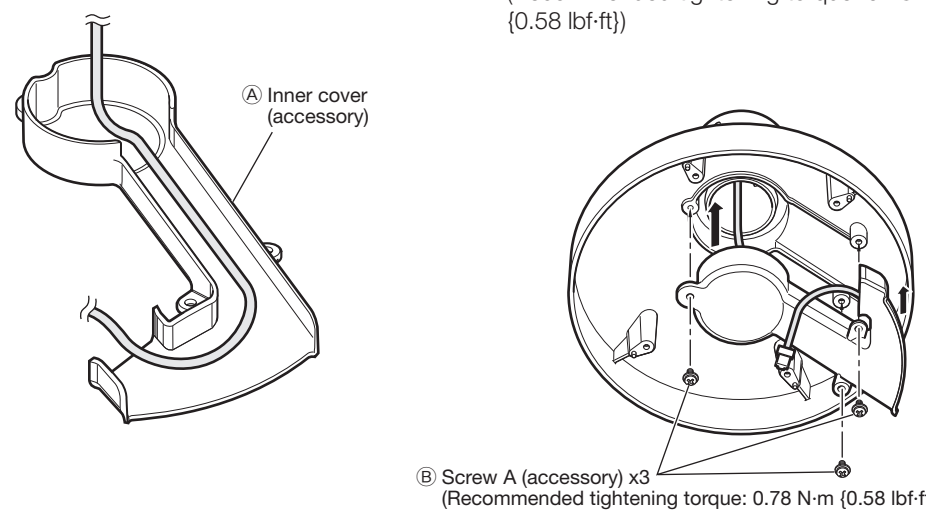
* Fix the cover so that the nameplate of the WV-Q124 comes in front of the WV-Q122A.



- 4 After fixing the WV-Q124 on the WV-Q122A, lay the cables as shown in the upper right illustration and confirm that the ends of the cables reach the cable line inside the cover of the WV-Q124.

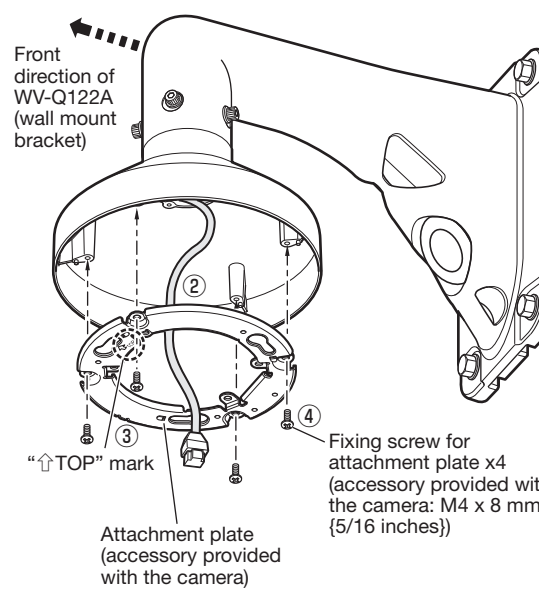
[2] Fix the cable with the inner cover of WV-Q124

- 1 Wire the cables as shown below.
- 2 Fix (A) inner cover (accessory) using (B) screw A (M3 x 8 mm {5/16 inches}: accessory). (Recommended tightening torque: 0.78 N·m {0.58 lbf-ft})



[3] Attach the attachment plate to the cover part of the WV-Q124

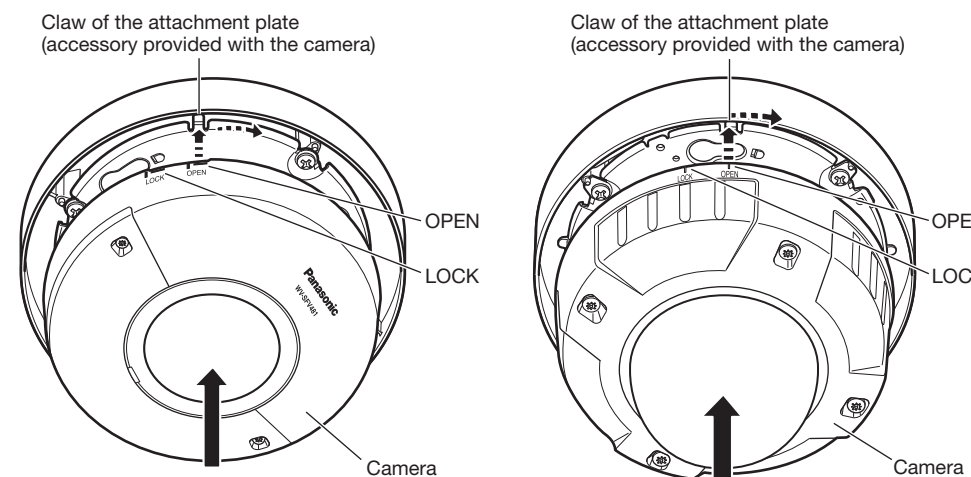
- 1 Prepare the attachment plate (provided with the camera) and the fixing screws for attachment plate (provided with the camera: M4 x 8 mm {5/16 inches}).
- 2 Pass the cables through the attachment plate.
- 3 Align the "↑TOP" mark on the attachment plate with the front of WV-Q122A (wall mount bracket).
- 4 Fix the attachment plate to the cover part of the WV-Q124 with the fixing screws for attachment plate. (Recommended tightening torque: 0.78 N·m {0.58 lbf-ft})



* The upper right illustration is provided as an example of attaching the attachment plate for a camera model having three attachment mounting screws.

[4] Fix the camera to the attachment plate (continued)

- 3 After connecting the cables to the camera, align the OPEN mark at the side of the camera enclosure to the claw of the attachment plate (provided with the camera). Then, insert the attachment mounting screws (2 or 3 points) at the bottom of the camera into the holes of the attachment plate. After that, move the LOCK mark to the point where the claw of the attachment plate is located by rotating the camera body clockwise by approx. 15° to fix temporarily. * Refer to the operating instructions of the connected camera for information on how to mount the camera.



<Example of mounting WV-SFV481>

<Example of mounting WV-SFV631L>

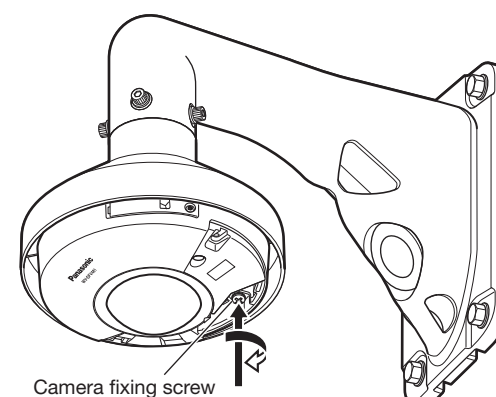
IMPORTANT:

- When using WV-SFV481 or WV-SW458 with a SD memory card, insert the SD memory card to the camera before mounting the camera onto the WV-Q124.

- 4 Fix the camera to the attachment plate. Fix the camera and adjust images.

<For WV-SFV481>

1. Loosen two of the sub cover fixing screws using the bit (provided with the camera) and remove the sub cover of the camera. Then, tighten the camera fixing screw to fix the attachment plate and the camera. (Recommended tightening torque: 0.78 N·m {0.58 lbf-ft})
2. Attach the sub cover back to the original position and fix with two of the sub cover fixing screws.



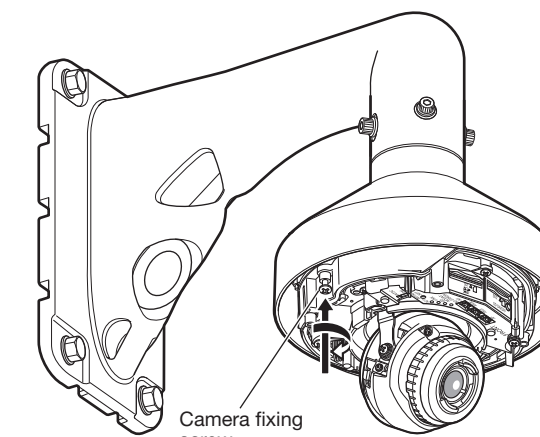
* The sub cover is omitted in the illustration.

<For WV-SW458>

Tighten the camera fixing screw located at the enclosure of the camera to fix the attachment plate and the camera. (Recommended tightening torque: 0.78 N·m {0.58 lbf-ft})

<For cameras other than the above>

1. Loosen the fixing screws (3 or 4 screws) of the enclosure using the bit and remove the enclosure from the camera body. Then, fix the camera with the camera fixing screw. (Recommended tightening torque: 0.78 N·m {0.58 lbf-ft})



* The enclosure is omitted in the illustration. WV-SFV631L is used as an example in the above illustration.

IMPORTANT:

- Enclosure is fixed at the installation auxiliary wire to the camera body, please do not remove the installation auxiliary wire.

Note:

- As for the enclosure fixing screw, there are three screws models and four screws models depending on the camera model. Refer to the operating instructions of the camera for further information.

2. Adjust images from the camera. * Refer to the operating instructions of the camera for further information on how to adjust.

3. After completing the adjustment, attach the enclosure back to the original position and fix it with the enclosure fixing screws (3 or 4 screws).

IMPORTANT: This caution shall be applied to all the cameras as described above.

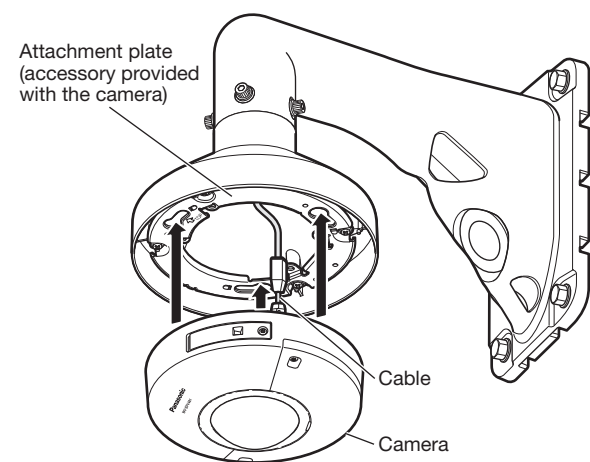
- Be sure to tighten the camera fixing screw. Failure to observe this may cause camera trouble due to camera falling. (Recommended tightening torque: 0.78 N·m {0.58 lbf-ft})

[4] Fix the camera to the attachment plate

Applicable models: WV-SFV481, WV-SW458, WV-SW559, WV-SW355, WV-SFV631L, WV-SFV631LT, WV-SFV611L, WV-SFV311

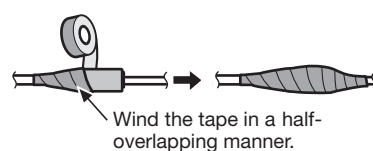
* WV-SFV481 is used as an example in the right illustration.

- 1 Connect the cables passed through the plate in section [3] with the cables from the camera.

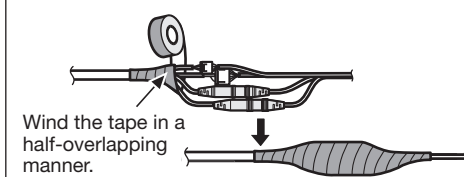


- 2 Apply waterproof treatment to the joints of the cables. Adequate waterproof treatment is required for the cables when installing the camera with cables exposed. The camera body is waterproof, but the cable ends are not waterproof. Be sure to use the waterproof tape provided with the camera at the points where the cables are connected and apply waterproof treatment in the following procedure. Failure to observe this or use of a tape other than the provided waterproof tape (such as a vinyl tape) may cause water leakage resulting in malfunction. Separately apply waterproof treatment to the network cable and other cables as shown in the illustration below.

<LAN cable>



<Alarm input/output cable, power cable, microphone/line input cable, audio output cable>



IMPORTANT:

- Also waterproof the 2P power cable (provided with the camera), 4P alarm cable (provided with the camera), and external connections in the same way.
- Stretch the tape by approx. twice (see the illustration at right) and wind it around the cable. Insufficient tape stretch causes insufficient waterproofing.
- Waterproof grade (JIS IP66 or equivalent) is applied to this product only when it is installed correctly and also an appropriate waterproof treatment is applied. The inner side of WV-Q124 (mount bracket) is not waterproofed.
- When a LAN cable cover is provided with the camera in the package, attach the LAN cable cover to the cable as shown in the illustration and fix it by sliding to the direction indicated by the arrow. The connector of the LAN cable used with this camera must meet the following restrictions.

